



APOLLO D8™

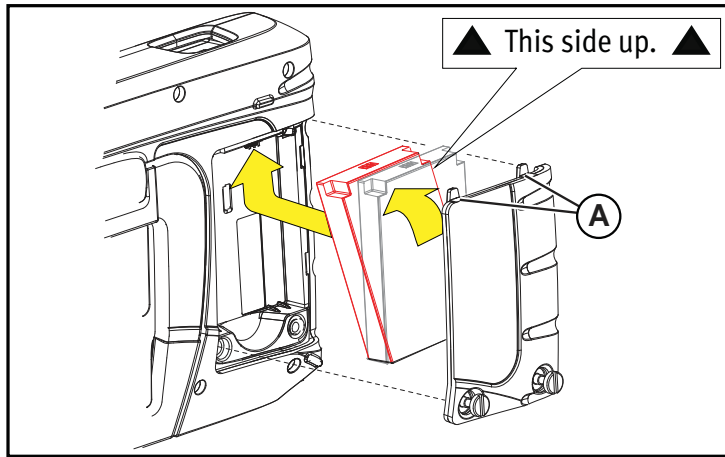
GETTING STARTED PACK



diagnostics.snapon.com/apolld8



Getting Started



1. Remove the battery pack cover, and install the battery pack (as shown) with the arrows facing up. Tilt the top of the battery in to align the tabs, then down to install.

2. Install the battery pack cover, aligning the tabs (A). Then tighten the screws.

Note - Do not overtighten the screws.



3. Connect the AC power supply, to charge the battery.

4. Press the Power button.

*****IMPORTANT*****
Turn Wi-Fi on to use Intelligent Diagnostics, Quick Lookups and SureTrack.



5. To turn on Wi-Fi:

a. From the Home screen, select **Tools > Settings > Configure Wi-Fi**.

b. Select the **Wi-Fi Power** icon.

The icon will change to indicating the Wi-Fi radio is on.

c. Select a wireless network from the list of available networks, then select **Connect**.



6. To scan a vehicle:

a. Select **Scanner**.

b. Follow the screen prompts to ID the vehicle and to connect the Data Cable.


c. Select a test/service and follow the screen prompts.

Note - When you connect the Data Cable to an OBD-II vehicle, the diagnostic tool is powered by the vehicle.



Scanner

Scanner makes vehicle communication easy, by providing full scanning functionality including these features and more!


Intelligent Diagnostics -  Quickly find code-specific diagnostic information

Code Scan - Scan multiple systems in a single touch

Data Graphing - View multiple graphs at once for data comparison analysis


Tests/Resets - Perform functional component tests, and adaptive relearns

Scanner Basics

1. Select **Scanner** , from the Home screen.
2. Select the vehicle make.
3. As prompted, identify the vehicle.
4. Select a system (e.g. Code Scan, Engine, Transmission, Body, etc.).
5. Connect the Data Cable to the vehicle and diagnostic tool.
6. Select a function/test (e.g. Codes Menu, Data Display, Functional Tests, etc.).

Scanner / Intelligent Diagnostics - Demonstration

The built-in demonstration program includes a slide show Introduction to Intelligent Diagnostics, and allows you to interactively explore Scanner functions without actually connecting to a vehicle. The interactive demonstration allows you to navigate through Scanner operations, including vehicle identification, system selection, Code Scan, PID graphs, Intelligent Diagnostics and more!

1. Select **Scanner** , from the Home screen.
2. Select **Demonstration**, from the vehicle make menu.
3. Select **2014-E > Chevrolet > Tahoe (4WD) Demo - K > Tahoe 5.3 V8 SFI (LMG) - 0**.
4. Select **OK**, to confirm the vehicle, then select **Continue** (demo mode confirmation message).
5. Select **Engine > Codes Menu > Display Codes > DTC Display**, to display the code results list.

From the code results list there are two demonstration options:

- a - Continue interactive demo, see **Intelligent Diagnostics Demonstration**.
- b - View slide show, see **Introduction to Intelligent Diagnostics**.


Introduction to Intelligent Diagnostics

The Introduction to Intelligent Diagnostics slide show helps you get familiar with the basic menus and code-specific features. To view the slide show:

Select , then use the onscreen **Forward (>)** and **Back(<)** icons to navigate the slides.

Select **"X"** at anytime to exit and return to the codes results list screen.

Intelligent Diagnostics Demonstration

1. Select a code from the code results list.
2. Select  to display the Intelligent Diagnostics multi-card menu.

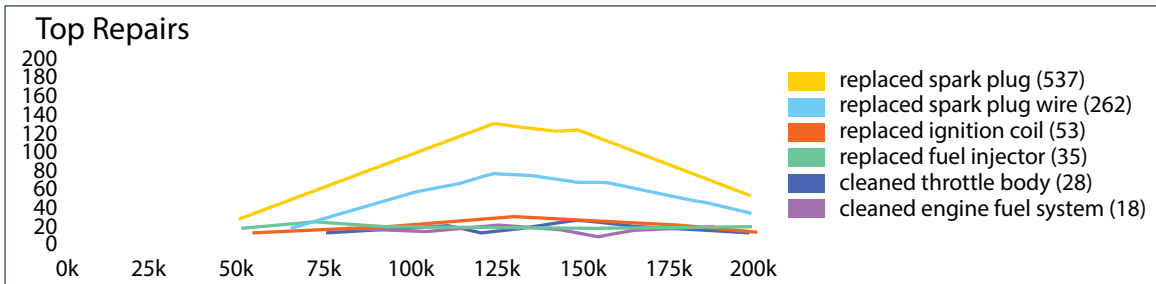


Wi-Fi required
to use
Intelligent Diagnostics.
Not required for Demo.

Intelligent Diagnostics gives you access to code-specific repair information, tests, OEM bulletins and Smart Data all in one menu. Use the dropdown menu to change the active code.



Top Repairs Graph - Displays the most likely repairs and probable causes for the selected code.



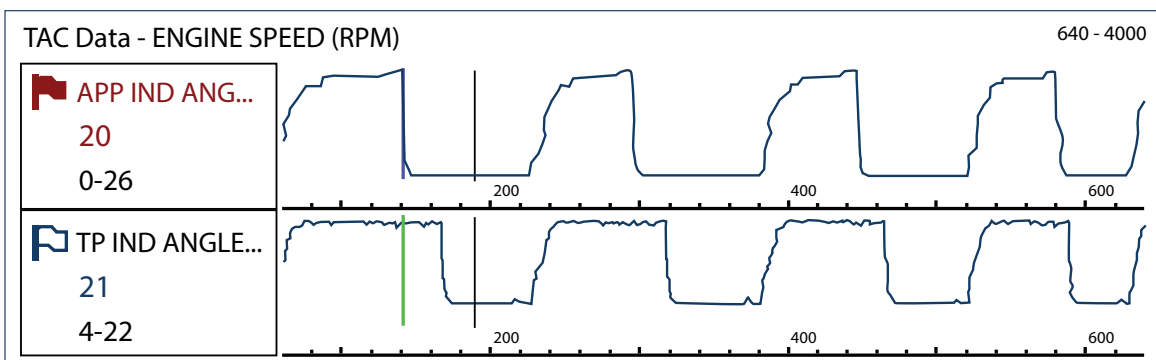
Technical Service Bulletins (TSB's)

Displays TSB's, Campaigns and Recalls related to the selected code.



Smart Data

Displays a custom list of PIDs related to the selected code. Smart Data uses "real-world" data to preset the PIDs upper and lower trigger values (any PID with a flag has been preset and armed). Any PID that exceeds it's limits will change it's flag color from blue to red, indicating a potential issue.





Functional Tests & Reset Procedures

Displays code-specific list of bi-directional tests that can be used to verify component or system operation during troubleshooting.



SureTrack® - Top Real Fix

The Top Real Fix for the code selected is displayed on the multi-card menu for quick reference.



Real Fixes

Displays repair procedures, tests and tips related to the selected code, that have been collected from actual shop repair orders.



Tips

Displays troubleshooter tips related to the selected code, that have been collected from industry professionals.



Quick Lookups



Quick Lookups makes finding valuable OEM service information and functional scanner tests easy!

Oil Specs and Resets:

Lookup engine oil specifications and reset the service interval.

- Capacity Information and Specifications
- Scanner Reset of Service Interval
- OEM Reset Procedures and Information

Tire and Wheel Service:

Perform TPMS functional tests and indicator resets. View reset/repair procedures and tire fitment specifications.

- Reset Procedures and Information
- Repair Procedures
- Scanner Reset of Service Indicator
- Tire Fitment Specifications



OBD-II / EOBD

Quickly access global OBD-II/EOBD codes, tests, and data without having to identify the vehicle.

Menu Options:

- **OBD Direct** - access OBD-II/EOBD service modes (e.g. \$01 to \$0A), allowing you to view current diagnostic trouble codes, parameter data, freeze frame information, O2 sensor monitoring test results, check calibration numbers, and more!
- **OBD-II Health Check** - quickly check or clear diagnostic trouble codes, check readiness monitor status, and MIL status.



Previous Vehicles and Data

Save setup time when re-testing a vehicle, and review your saved files.

Menu Options:

- **Vehicle History** - lists the last twenty-five vehicles selected.
- **View Saved Data** - lists all saved data files, including screen images.
- **Delete Saved Data** - permanently erases saved files from memory.



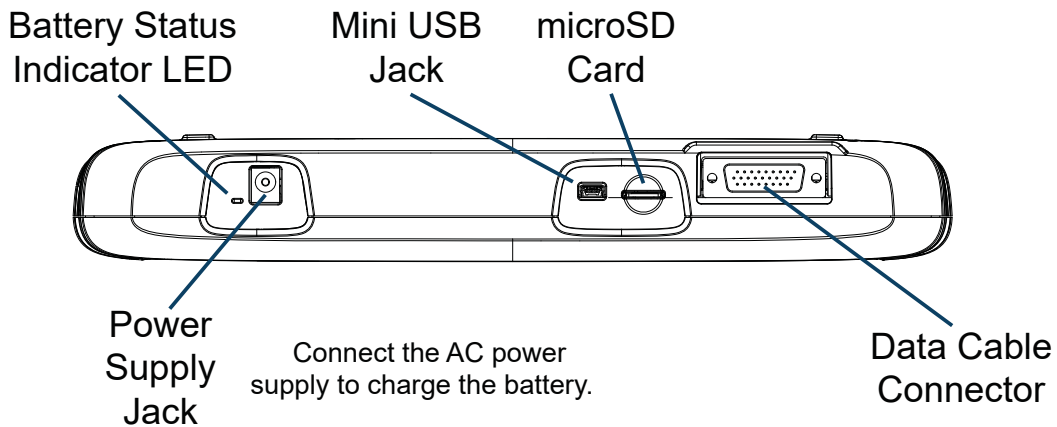
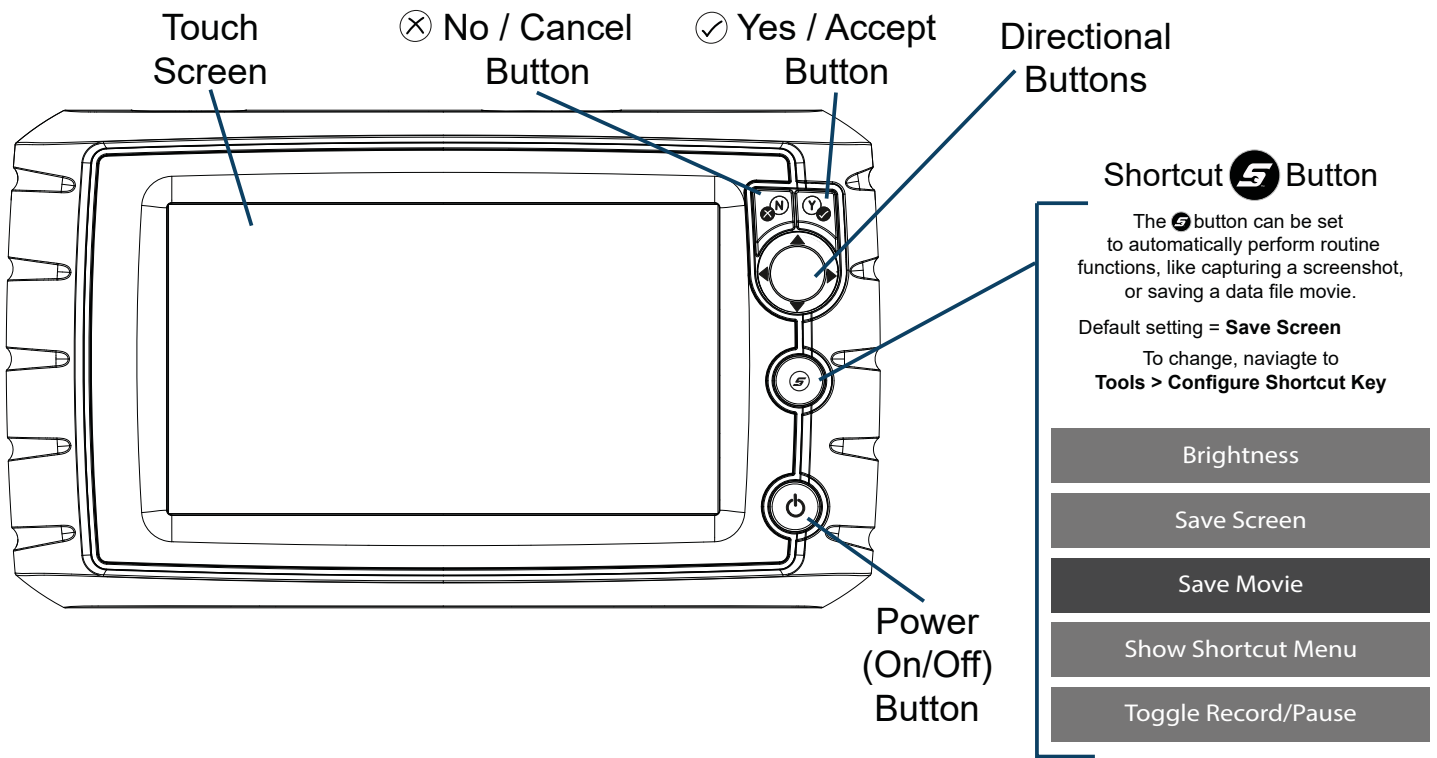
Tools

Easily change settings to your preferences, and transfer saved data files to your PC.

Menu Options:

- **Connect-to-PC** - transfer saved data files to your PC using a USB cable and ShopStream Connect™.
- **Configure Shortcut Button** - change the function of the Shortcut button to one of five options.
- **Settings** - adjust display and unit measurement settings to your preferences.
- **System Information** - displays software version, serial number and system information.

Features and Button



Print Data Files, Download Software Updates and more using **ShopStream** **CONNECT**[™]

ShopStream Connect (SSC) is a companion PC application available at no cost that gives you the ability to connect your diagnostic tool to your PC.

1. Get started by downloading and installing the SSC application onto your PC.

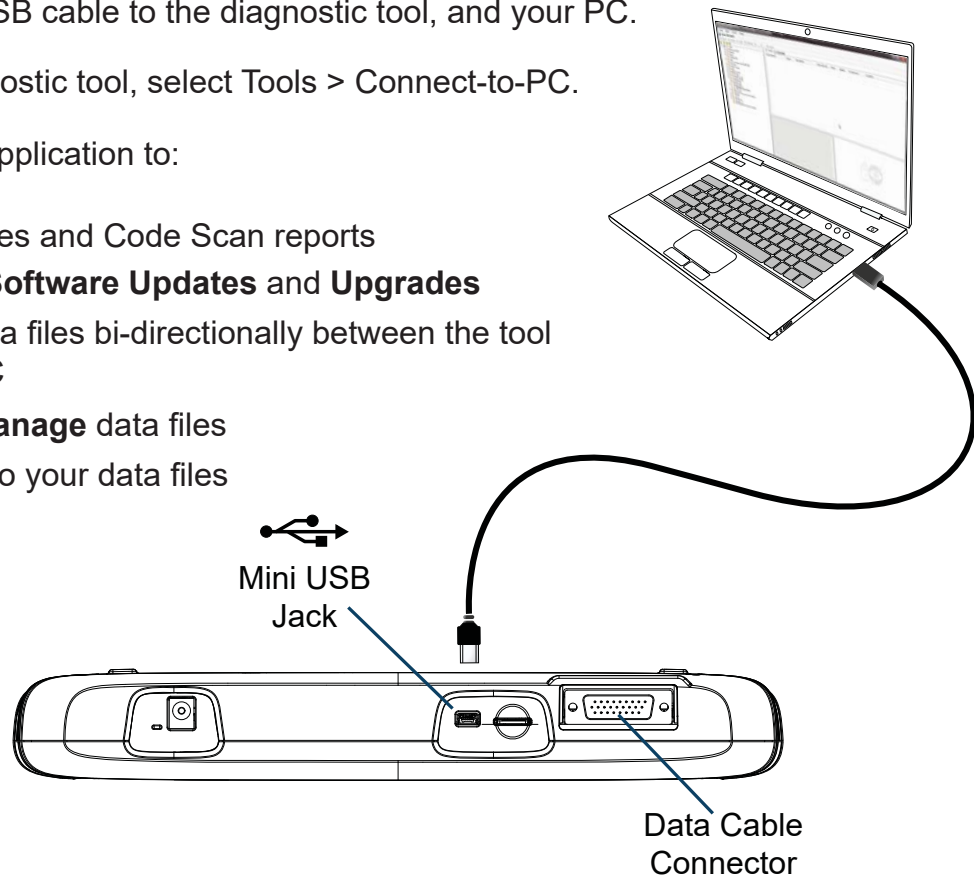
Download SSC from: diagnostics.snapon.com/ssc

2. Connect the USB cable to the diagnostic tool, and your PC.

3. From the diagnostic tool, select Tools > Connect-to-PC.

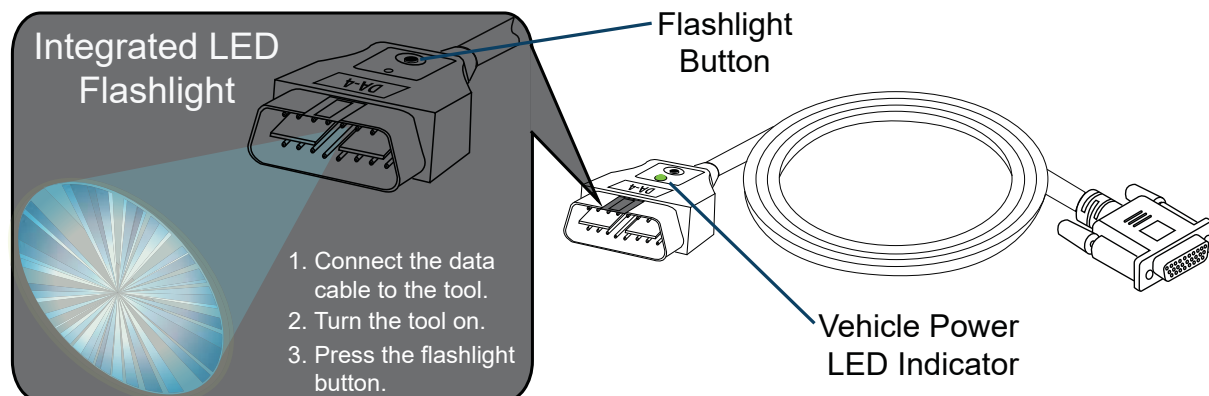
4. Use the SSC application to:

- **Print** data files and Code Scan reports
- **Download Software Updates** and **Upgrades**
- **Transfer** data files bi-directionally between the tool and your PC
- **Save** and **Manage** data files
- **Add Notes** to your data files



Data Cable

The OBD-II Data Cable is equipped with an LED to let you know if the vehicle is supplying power to the diagnostic tool. In addition, the integrated LED flashlight can help you find and connect to the vehicle's data link connector (DLC).



Customer Support

Phone: (800) 424-7226

Email: diagnostics_support@snapon.com

Website: diagnostics.snapon.com/faq

Safety Information

Before using this diagnostic tool, read and understand the *Important Safety Information* document provided within this kit. The *Important Safety Information* document is also available at: diagnostics.snapon.com/usermanuals



User Manual

Download the user manual from: diagnostics.snapon.com/usermanuals

Warranty Activation and Extension

To activate your warranty, and ensure you have access to the latest software upgrades, register your diagnostic tool today.

U.S. Customers: store.snapon.com/ProductRegistration.aspx

Canadian Customers: snapon.com/productregistration

Extended warranty protection is available for an additional 12, 24 or 36 months. Contact your local Snap-on representative for information.

Software Subscription Program

Snap-on is continually enhancing our diagnostic software to provide our customers with the latest information available, not only for new vehicles but for older vehicles as well. As revisions become available, we offer them in each new software release.

The Snap-on Software Subscription Program is the no-hassle, low-cost way to automatically get the latest codes, data, tests and exclusive coverage for thousands of new vehicle systems. To find out more, visit: diagnostics.snapon.com/theprogram

Important Information

Before using this diagnostic tool, read and understand:

- The *Important Safety Information* - included in this kit
- The APOLLO D8™ *User Manual* - available online at:
diagnostics.snapon.com/usermanuals

Get the most from your new diagnostic tool.

The latest software upgrades are as close as your Snap-on Representative's van, or for more information visit: diagnostics.snapon.com

Training Solutions®

To maximize your productivity, Snap-on Training Solutions offers in-depth, multi-level training at no charge, available 24/7 at: diagnostics.snapon.com/trainingsolutions

Snap-on is a trademark, registered in the United States and other countries, of Snap-on Incorporated. All other marks are trademarks or registered trademarks of their respective holders. ©2018 Snap-on Incorporated. All pictures and illustrations shown are for reference purposes only. All information including specifications herein are subject to change without notice. EAZ0125L01A Rev. A

APOLLO D8™

The Snap-on logo is located in the bottom right corner of the page. It features the word "Snap-on" in a stylized, italicized font with a metallic, 3D effect. The letters are white with black outlines and shadows, giving it a rugged appearance. A registered trademark symbol (®) is visible at the end of the word.